




SAMRAT[®]

MOTOR CONTROL GEAR

EDGE
of
Quality

INTRODUCTION

Paramount Industries have been manufacturing Motor Starters with electrical & mechanical experience of many years and through constant quality innovations, today it has become a giant leader in this competitive world of trade.

We Paramount Industries are one of the leading manufacturers of Oil Immersed & Air Break Motor Starters in India.

We have cornered a major share of current market with our superior quality products.

We have created an edifice of our achievements through R&D and provided a high pedestal to electrical Industry. Our quality standards have been emulated by the industry and have become the segment's benchmarks. Exhaustive performance, maintenance and production checks have been placed and rigorously followed.



Products

REVERSE-FORWARD L.T. SWITCH/ CHANGE OVER/ON-OFF SWITCH



Type : SRS 16 AMP

Change Over Switch 16A

GENERAL FEATURES :

- Simple compact & easy to install.
- Housed in deep drawn CR sheet steel enclosure which is pre-treated and Powder coated.
- Cadmium Plated contact for high conductivity & longer life.
- Long service life even during frequent switching with high making a breaking capacity.



Type : SRS 16 AMP

On - Off Switch 16A



Type : SRS 16 AMP

Reversing Switch 16A

TECHNICAL SPECIFICATION :

- These switch are suitable for direct-on-line starting & controlling three phase & single phase induction motors.
- High quality DCM powder is used tested 5000volts.
- Life over 10 lacs mechanical operation.
- CAM type manual operated.

1 How to install handle



2 Tight Properly



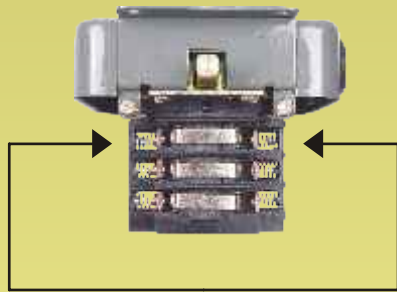
SAMRAT[®]

MOTOR CONTROL GEAR

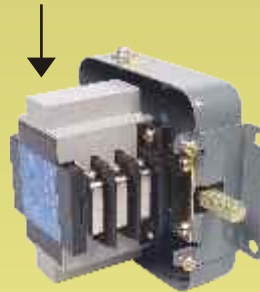
- Reversing Switch 16A (with DMC enclosure)
- On - Off Switch 16A (with DMC enclosure)
- Change Over Switch 16A (with DMC enclosure)

Products

REVERSE-FORWARD L.T. SWITCH/
CHANGE OVER/ON-OFF SWITCH



Contacts cover
for dust protection



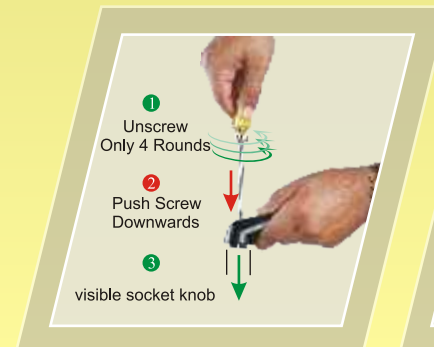
Heavy duty dual break silver cadmium contact for high conductivity and longer life,
Long service life even during frequent switching with high making a breaking capacity.



Type : SRS 32 AMP

Reversing Switch 32 A (with cubical enclosure)
On - Off Switch 32 A (with cubical enclosure)
Change Ov


SAMRAT[®]
MOTOR CONTROL GEAR



Products

REVERSE-FORWARD L.T. SWITCH/ CHANGE OVER/ON-OFF SWITCH



Type : SRS 63 AMP

Reversing Switch 63 A (with cubical enclosure)

On - Off Switch 63 A (with cubical enclosure)

Change Over Switch 63 A (with cubical enclosure)

GENERAL FEATURES :

Simple compact & easy to install

Housed in deep drawn CR sheet steel enclosure which is pre-treated and powder coated

Heavy duty dual break silver cadmium contact for high conductivity and longer life.

Long service life even during frequent switching with high making a breaking capacity.

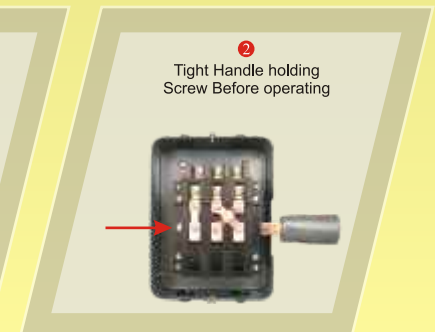
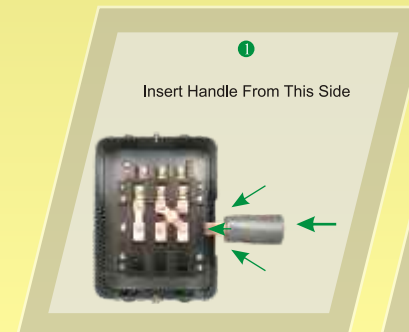
TECHNICAL SPECIFICATION :

These switch are suitable for direct-on-line starting & controlling three phase & single phase induction motors.

High quality Bakelite powder is used tested 5000volts.

Life over 10 lacs mechanical operation.

Slide type manual operated.



SAMRAT[®]

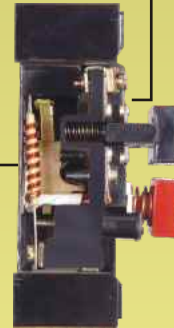
MOTOR CONTROL GEAR

Products

TINY MOTOR STARTER



Type : STS



Heavy duty silver cadmium contact for high conductivity and longer life, Long service life even during frequent switching with high making a breaking capacity.

Manually operated & Inching facility for motor.

Triple pole tested Bi-metallic over load relays for complete protection of you motor.

TYPE	Motor Rating 220V - 1PHASE		Motor Rating 415 V - 3PHASE		Min. Pkg.
	HP	Relay-Range	HP	Relay-Range	
STS	N/A	N/A	1	1.5-2.5 A	50Pcs
	N/A	N/A	2	2.5-4 A	
	N/A	N/A	3	4-6.5 A	
	1	6-10 A	5	6-10 A	
	2	9-14 A	7.5	9-14 A	
	3	12-20 A	10	12-20 A	

MOTOR CONTROL GEAR

Products

DIRECT-ON-LINE AIR BREAK MOTOR STARTER

GENERAL FEATURES :

Simple compact & easy to install

Housed in deep drawn CR sheet steel enclosure which is pre-treated and powder coated

Heavy duty Silver cadmium contact for high conductivity and longer life.

Long service life even during frequent switching with high making a breaking capacity

Triple pole tested Bi-metallic over load relays for complete protection of you motor.



Type : SDL

Description					
TYPE	Motor Rating 220V - 1 PHASE		Motor Rating 415 V - 3PHASE		Min. Pkg.
	Hp	Relay-Range	HP	Relay-Range	
SDL	N/A	N/A	1	1.5 - 2.5A	18Pcs
	N/A	N/A	2	2.5 - 4.0A	
	N/A	N/A	3	4 - 6.5 A	
	1	6 - 10A	5	6 - 10 A	
	2	9 - 14A	7.5	9 - 14 A	
	3	13 - 21A	10	13 - 21A	

TECHNICAL SPECIFICATION :

- High quality Bakelite powder is used tested 5000volts.
- Green knob run the motor in start position
- Red knob to stop the motor.

Products

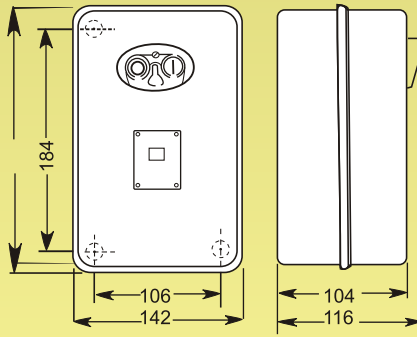
DIRECT-ON-LINE AIR BREAK MOTOR STARTER

GENERAL FEATURES :

- Simple compact & easy to install
- Housed in deep drawn CR sheet steel enclosure which is pre-treated and powder coated
- Heavy duty Silver cadmium contact for high conductivity and longer life.
- Long service life even during frequent switching with high making & breaking capacity
- Triple pole tested Bi-metallic over load relays for complete protection of you motor.
- Vacuum impregnated magnetic coil made from fully automatic machine & backed to suit tropical conditions.



Type : SPD



Dimensions in mm

Description						
TYPE	Cont. Amp.	Motor Rating 220V - 1 PHASE		Motor Rating 415 V - 3PHASE		Cont. Amp.
		Hp	Relay-Range	HP	Relay-Range	
SPD	16A	1	6-10 A	1	1.5-2.5 A	16A
				2	2.5-4 A	16A
				3	4-6.5 A	16A
				5	6-10 A	16A
				7.5	9-14 A	16A
				10	12-20 A	16A
25A	3	12-20 A	10	12-20 A	25A	
			15	20-32 A	40A	


SAMRAT[®]

MOTOR CONTROL GEAR

TECHNICAL SPECIFICATION :

High quality Bakelite powder is used tested 5000volts.

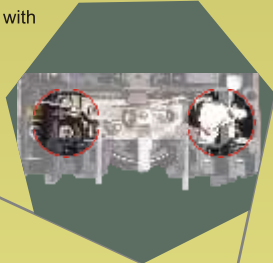
- Green knob run the motor in start position
- Red knob to stop the motor.

DIRECT-ON-LINE AIR BREAK MOTOR STARTER TYPE-SPD

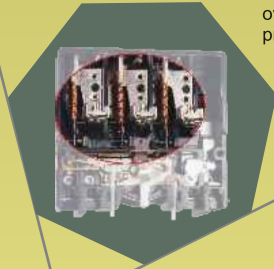
Products

DIRECT - ON - LINE AIR BREAK MOTOR STARTER

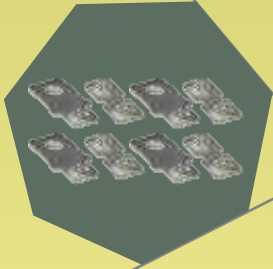
Relay No, NC contact, made with thick layer of silver cadmium.



Triple pole tested bi-metallic over load relays for complete protection of your motor.



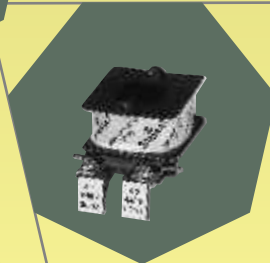
Heavy duty silver cadmium contacts for high conductivity and longer life, Longer service life even during frequent switching with high making & breaking capacity.



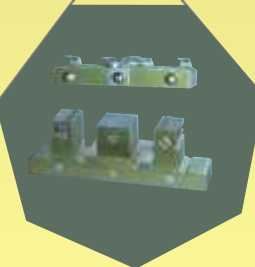
J shaped bi-matel automatically adjust it self according to climate for accurate tripping



COIL MADE FROM FULLY AUTOMATIC CNC COMPUTERIZED MACHINE



High quality bakelite powder is used & tested on 5000 volts.



Low watt loss silicon stamping used


SAMRAT[®]
MOTOR CONTROL GEAR

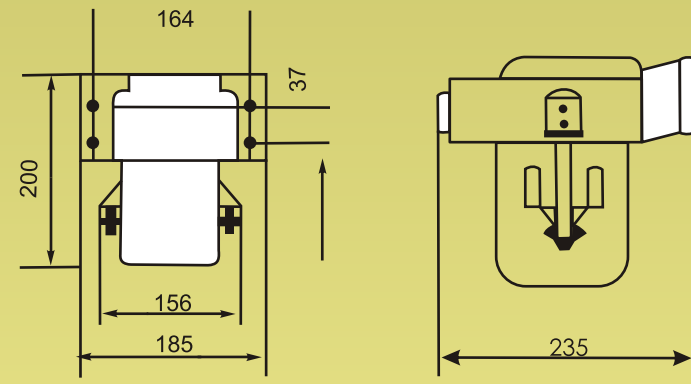
Products

**DIRECT - ON - LINE
OIL IMMERSED**



LVS
TECHNOLOGY

Type : SOI



Dimensions in mm

DIRECT ON LINE PUSH BUTTON OIL IMMERSED SUB. CONTROL UNIT
400V, THREE PHASE, 50Hz, AC, 3HP to 20 HP TYPE : SOI
(WITH THERMAL RELAY)

RELAY - RANGE	4-6.5	6 - 10	9 - 14	13 - 21	20 - 32	32 - 45	32 - 45
H. P.	3	5	7.5	10	15	20	5 S.P.

- Green knob run the motor in Delta position.
- Red knob to stop the motor.

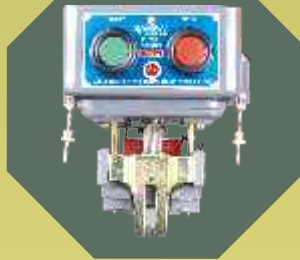
Triple pole tested Bi-metallic over load relays for complete protection of your motor.

SAMRAT
MOTOR CONTROL GEAR

Products

**DIRECT - ON - LINE
OIL IMMERSED**

Starter assembly fitted in CR sheet steel housing and oil tank in deep drawn CR sheet steel which is pre-treated and powder coated.



High quality DMC powder is used tested 5000volts.



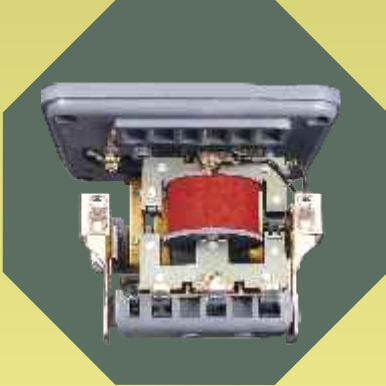
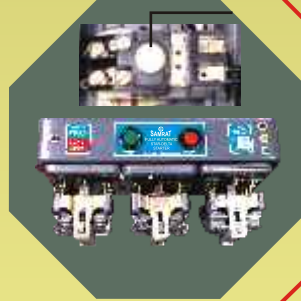
Triple pole tested Bi-metallic over load relays for complete protection of your motor.



- Green Knob run the motor in start position.
- Yellow knob to bring the motor to Delta position.
- Red knob to stop the motor.



- Green knob run the motor in start position.
- ▶ The time lag relay will automatically change over to delta position within the range 4-20sec
- Red knob to stop the motor.



Low watt loss silicon stamping used



Vacuum impregnated magnetic coil made from fully automatic machine & backed to suit tropical conditions.

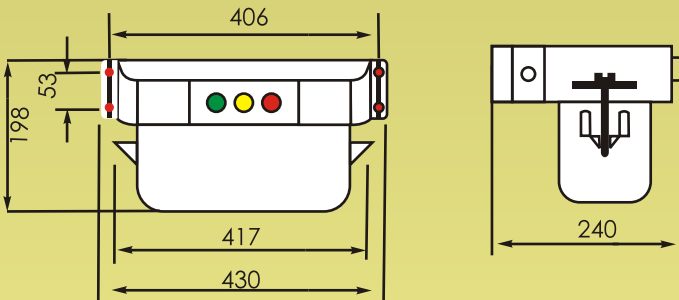


Cadmium coated electrolytic copper contact for high conductivity and longer life, Making & breaking of contacts under oil for quick quenching of arc.



Products

**DIRECT - ON - LINE
OIL IMMERSED**



Dimensions in mm

LVS
TECHNOLOGY

**STAR DELTA OIL IMMERSED
SEMI AUTOMATIC**



Type : SSA

**SEMI AUTOMATIC STAR - DELTA OIL IMMERSED SUB. CONTROL UNIT
400V, THREE PHASE, 50Hz, AC, 3 HP TO 40 HP TYPE : SSA**

RELAY-RANGE	4 -6.5	6 -10	9 -14	13 -21	13 -21	17 -26	20 -32	25 -35	25 -35	32 - 45
MOTOR CURRENT	6 -10	9 -14	12 -20	18 -24	20 -32	25 -35	32 -42	38 -48	42 -54	55-65
H.P.	5	7.5	10	12.5	15	20	25	30	35	40

SAMRAT[®]
MOTOR CONTROL GEAR

- Green knob run the motor in start position.
- Yellow knob to bring the motor to Delta position.
- Red knob to stop the motor.

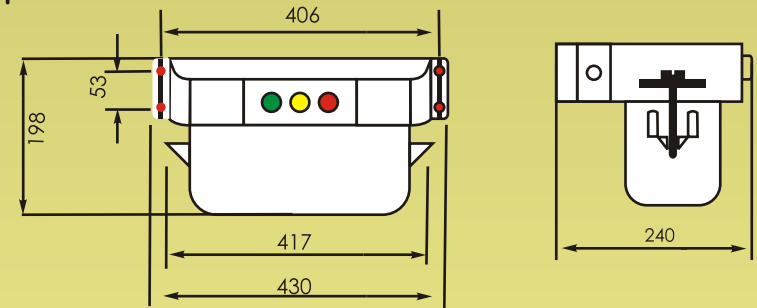
Products

STAR DELTA OIL IMMERSSED FULLY AUTOMATIC



LVS
TECHNOLOGY

DIRECT - ON - LINE OIL IMMERSSED



Dimensions in mm

Type : SFA

**FULLY AUTOMATIC STAR-DELTA OIL IMMERSSED SUB. CONTROL UNIT
(MECHANICAL TIMER) 400V, THREE PHASE, 50Hz, AC, 3HP to 40HP TYPE : SFA**

RELAY - RANGE											
H. P.	3	5	7.5	10	12.5	15	20	25	30	35	40

- Green knob run the motor in start position.
The time lag relay will automatically change over to delta position within the range 4-20sec
- Red knob to stop the motor.

SAMRAT[®]
MOTOR CONTROL GEAR

AC 2 POLE CONTACTER



10, 16, 25, 40 Amp.

Type : SCH

AC 2 POLE MINI-CONTACTER



10, 16, 25, Amp.

Type : SCH-MINI



New Definite Purpose Contactors are ideal for commercial applications including Air-Conditioning, Refrigeration, Resistive Heating & many more other installations where a low cost, high performance contactor is needed. These devices offer flexibility & are designed to meet or exceed electrical & mechanical requirements are defined by definite contactor standards.

AC 4 POLE CONTACTER



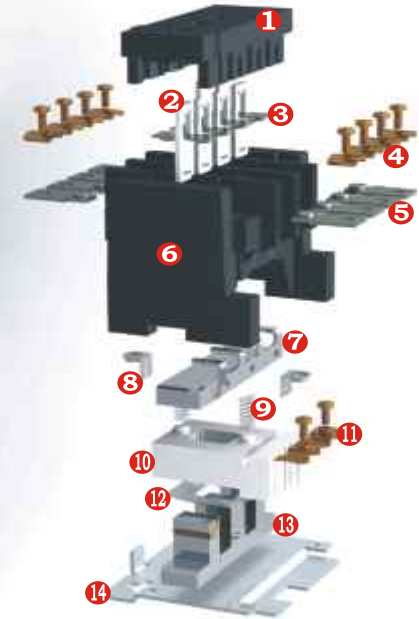
10, 16, 25, 40 Amp.

Type : SCH-4 NO

Products

AC CONTACTOR

- 1 CONTACT CHAMBER
- 2 MOV. CONT. CARRIER
- 3 MOVABLE CONTACT
- 4 TERMINAL CAP
- 5 FIXED CONTACT
- 6 MAIN HOUSING
- 7 NON MAGNETIC CASING
- 8 LIFTING SP. HOLDER
- 9 LIFTING SPRING
- 10 N. V. COIL
- 11 COIL TERMINALS
- 12 LEAF SPRING
- 13 E MAGNETIC CORE
- 14 BASE PLATE



INSIDE VIEW OF THE CONTACTOR

Definite Purpose Contactors with AC Coil

Contactor Amps	Coil Volatge	Poles	Maximum H.P.
			3H.P. S.P 220V50Hz
10A	140-220v	2	1
16A	140-220v	2	1.5
20A	140-220v	2	2
25A	140-220v	2	3



MOTOR CONTROL GEAR

Products

DELTA SUBMERSIBLE CONTROL UNIT

WITH OVER LOAD PROTECTION (OLP)



Type : SCU-2

SALIENT FEATURES

- ◆ Delta Submersible Control Unit Fitted in CR Sheets Housing and powder coated.
- ◆ Silver Contact for High Conductivity & longer Life used in Contactor
- ◆ Magnetic Coil Made from Fully Automatic Machine.
- ◆ Fitted with O.L.P.



Type : SCU-1

WITH OVERLOAD RELAY PROTECTION



Type : SCU-3

DESCRIPTION	RUNNING CAPACITOR	STARTING CAPACITOR
1-H.P. SINGLE PHASE	45 Mfd	100-200
1.5-H.P. SINGLE PHASE	50 Mfd	120-150
2-H.P. SINGLE PHASE	72 Mfd.	150-200
5-H.P. SINGLE PHASE	122 Mfd	200-250
3-H.P. SINGLE PHASE	86 Mfd	200-250X2

SAMRAT[®]

MOTOR CONTROL GEAR

Products

**SPARE PART : SOI/SSA/SFA
(With Thermal Relay)**

S No.	NAME OF ITEMS
1.	Magnetic Assembly without Coil
2.	Magnetic Assembly with Coil
3.	Start Knob
4.	Delta Knob
5.	Stop Knob
6.	Side Holding Bakelite [D.M.C]
7.	Main Bakelite [D.M.C]
8.	Side Holding Iron Clamp
9.	Moving Contact Carrier Block
10.	Moving Contact for SOI/SSA/SFA (H.D.)
11.	Fix Contractor for SOI/SSA/SFA
12.	Kit Set (TYPE-1) (Copper) (3/6) Pcs.
13.	Overload Relay set for SSA/SFA (5 to 15 HP) SSA/SFA (20 to 35 HP) 3pcs.
14.	Auxiliary Contact (Moving)
15.	Operating Coil 400V (L.V.S.)
16.	Overload Relay Cover
17.	Tilting Rod



S No.	NAME OF ITEMS
18.	Combination Coil
19.	Thermal Timer with out comb. Coil
20.	Z.U 3pcs.
21.	Big 'L' (Brass) 8pcs.
22.	Small 'L' 3pcs.
23.	Auxiliary Contact Strip
24.	Auxiliary Contact (Moving)
25.	AMP. Knob Assembly
26.	Auxiliary spring
27.	Main Hard spring
28.	Main Soft spring
29.	Screws/Nuts etc.
30.	Kit set (TYPE-2 HEAVY DUTY)
31.	Kit set With Box (TYPE-1)
32.	Kit set (TYPE-3 Silver HEAVY DUTY)

SAMRAT[®]

MOTOR CONTROL GEAR

Products

SPARE PART MOTOR STARTER TYPE : SDL



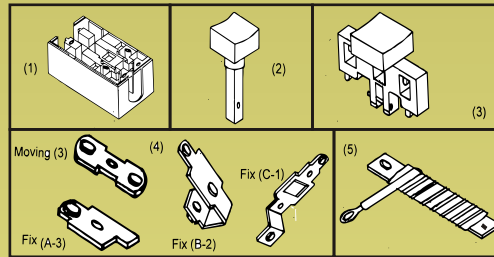
S No.	NAME OF ITEMS
1.	Base Plate
2.	Fix Contacts
3.	Moving Contacts
4.	Kit set Fix/Moving (3/6) Riveted
5.	Auxiliary Moving
6.	Auxiliary Fix
7.	Operating Coil
8.	Small 'L'
9.	'U' Channel
10.	Magnetic Assembly
11.	Tilting Rod
12.	Straight Rod
13.	Amp. Knob
14.	Start Knob/Stop Knob
15.	Moving Contact Carrier Block
16.	Over Load Relay Set
17.	Brass Big 'L'
18.	Amp. Strip
19.	Big Side Clamp
20.	Connection Strip
21.	Brass 'J'
22.	Small Side Clamp
23.	Brass Zig Zag

Products

SPARE PART OF **SAMRAT** TINY STARTERS
(AIR BREAK DIRECT-ON-LINE) TYPE : SATS

S No.	NAME OF ITEMS
1.	Main Bakelite
2.	Stop Knob
3.	Start Knob & Plunger
4.	Kit Set (Moving Contact-3 & Fix Contact 6—(A-3)+(B-2)+(C-1)
5.	Overload Relay 1/4, 1/2, 1,5,2,3,5 &7.5 H.P.

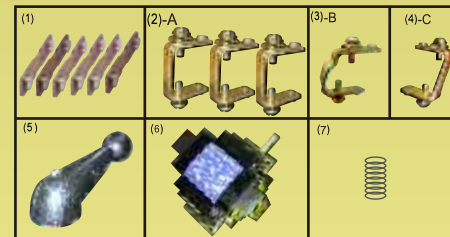
DIAGRAMS : SPARE PARTS OF **SAMRAT** TINY STARTER
(AIR BREAK DIRECT-ON-LINE) TYPE : SATS



SPARE PART OF **SAMRAT** REVERSING SWITCH 32 AMP.
(With Cubical Enclosure) Type : SRS

S No.	NAME OF ITEMS
1.	Moving Contact
2.	Fix Contact (A) with cap screw
3.	Fix Contact (B) with cap screw
4.	Fix Contact (C) with cap screw
5.	Handle with Bush
6.	Machine Without Base Cover
7.	Spring

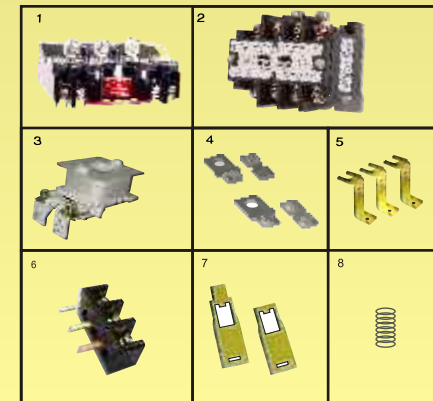
DIAGRAMS : SPARE PART OF **SAMRAT** REVERSING SWITCH 32 AMP.
(With Cubical Enclosure) Type : SRS



SPARE PART OF **SAMRAT** AIR BREAK DIRECT-ON-LINE
MOTOR STARTER TYPE : SPD

S No.	NAME OF ITEMS
1.	Over Load Relay 1.5-2.5to9 -14A 13 -21to20 -32A
2.	Contactor 4pole 16Amp 25Amp 40Amp
3.	Coil 440V 220V
4.	KIT Set 16Amp 25Amp 40Amp
5.	Z Joint Patti
6.	Connector Block
7.	Fiber Big, Small
8.	Spring

DIAGRAMS : SPARE PART OF **SAMRAT** AIR BREAK DIRECT-ON-LINE
MOTOR STARTER TYPE : SPD



PARAMOUNT INDUSTRIES

CB-295, RING ROAD NARAINA, NEW DELHI-110028(INDIA)

TEL.: +91-11-65159679

E-mail : info@samratstarter.com